

MIRAGE<sup>®</sup>

# Set-Up Instructions





# Table of Contents

---

Mirage® is available in many sizes – from 32” tall tabletops to 92” tall backwalls. The following set-up and repacking instructions depict our 10’ 92” Mirage, the most popular display in the world. All Mirage displays set up using the same sequence, although the size and number of components vary between models.

**Please read the entire section before attempting set-up.**

Although Skyline products are designed to withstand the rigors of a heavy trade show schedule, with many set-ups and take-downs, care should be taken when handling your display. Valuable graphic panels can be damaged if not properly handled. Place graphic panels in protective plastic bags provided before repacking. Be careful not to drop panels into the case as this could damage their edges.

If you have any questions about setting up your display or have lost components, call your local Skyline distributor. For the number of your distributor, or the distributor in a city in which you are exhibiting, call Skyline at **1-800-328-2725**.

Thank you for choosing Skyline – have a great show!

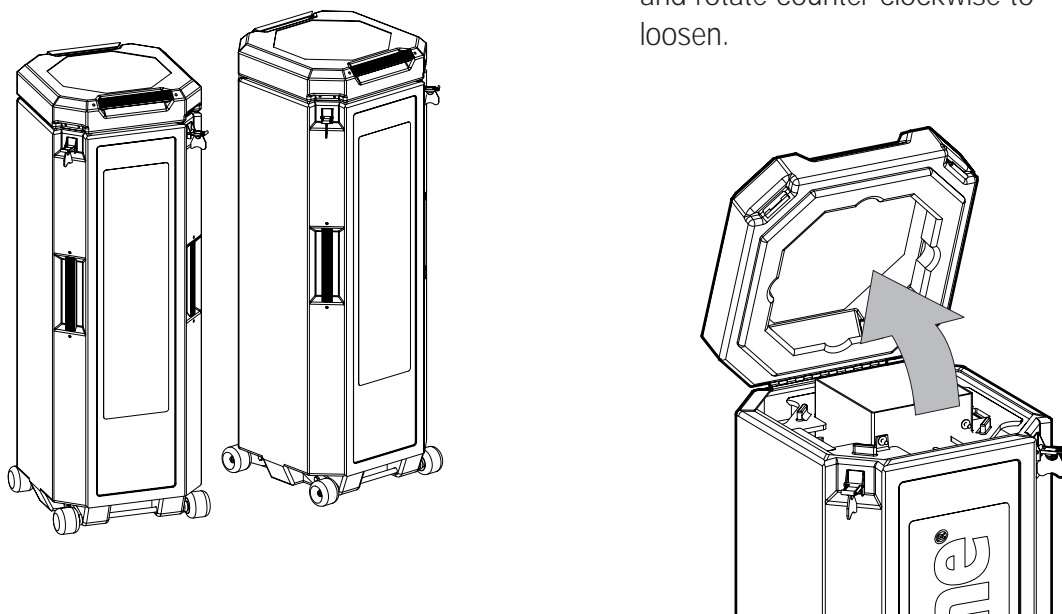
	Case Identification	2
	Frame Identification	3
<b>Set-Up</b>	Component Identification	4
	Frame	6
	Channels	8
	Halogen Lights	10
	SkyTrak™ Lights	12
	Panels	14
	End Panels	15
	Detachable Graphics	16
<b>Accessories</b>	Marquee Header	17
	Shelving	20
	Product Display	21
	Case Table – Transporter Case	22
	Case Table – Oval Case	23
	Bubble Panel	24
<b>Repacking</b>	Transporter Cases	27
	Oval Cases	31
	Warranty	35

# Case Identification

---

## Transporter Case *(Tabletop displays have only 1 case.)*

To open case lid, flip latches up and rotate counter-clockwise to loosen.



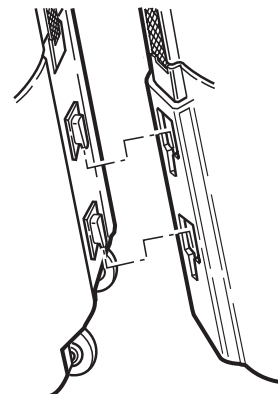
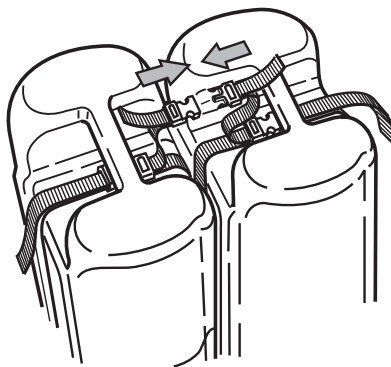
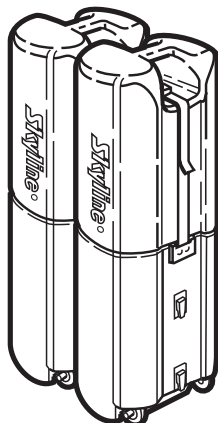
---

## Oval Case *(Tabletop displays have only 1 case.)*

Cases connect for easy transporting.

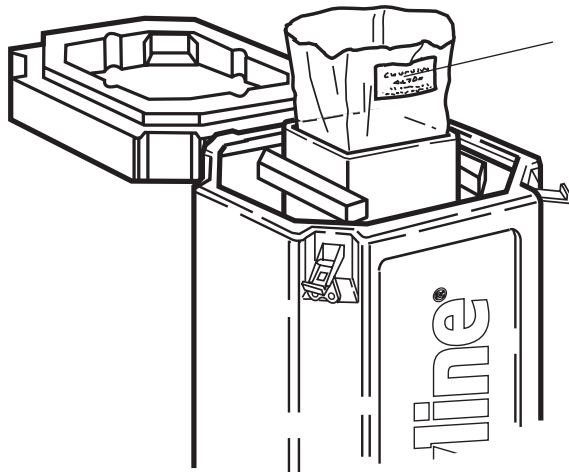
To disconnect, unbuckle straps.

Tip cases forward to separate cases at base.



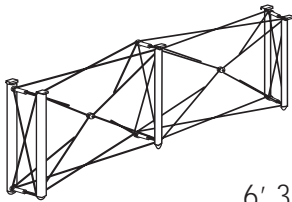
# Frame Identification

---

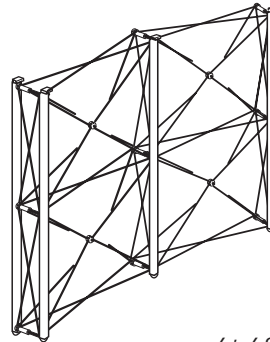


The label on the protective bag shows what frame you have.

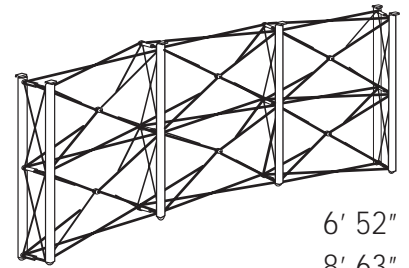
## Tabletop Displays



6' 32"



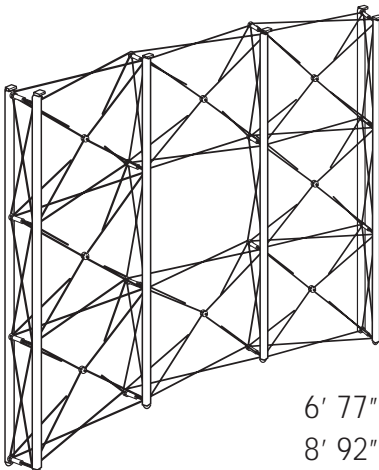
6' 63"



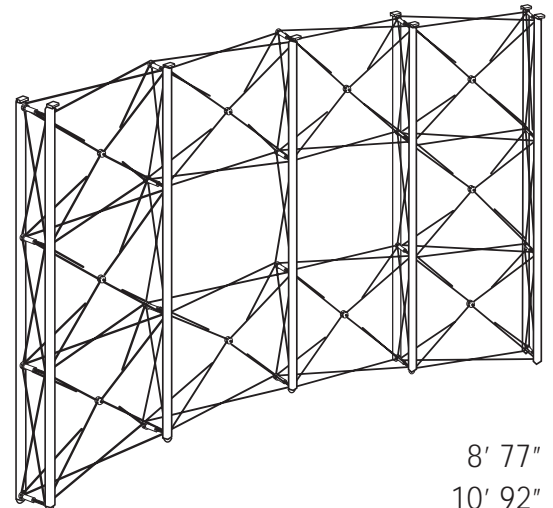
6' 52"  
8' 63"

---

## Full-Size Displays

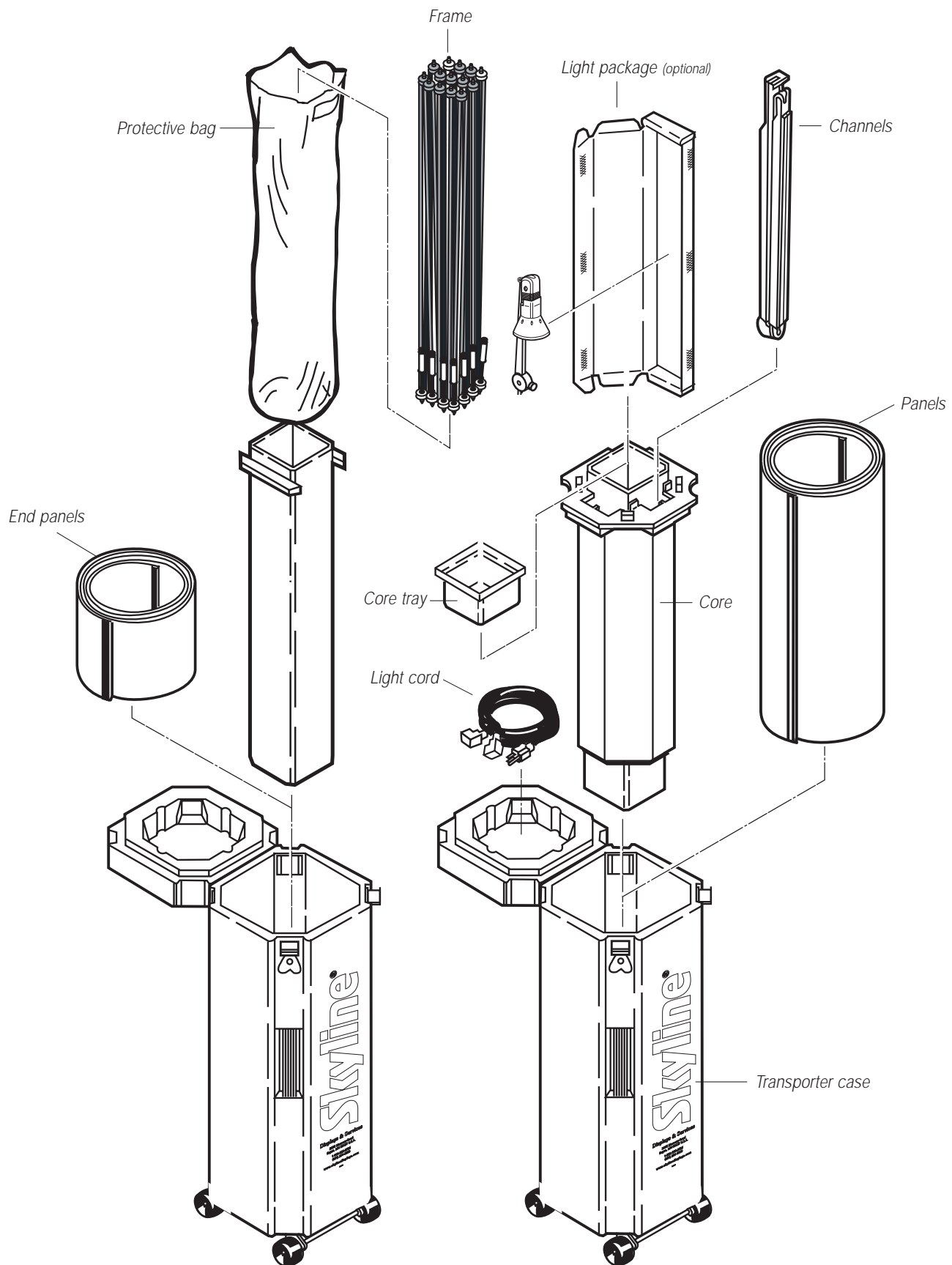


6' 77"  
8' 92"

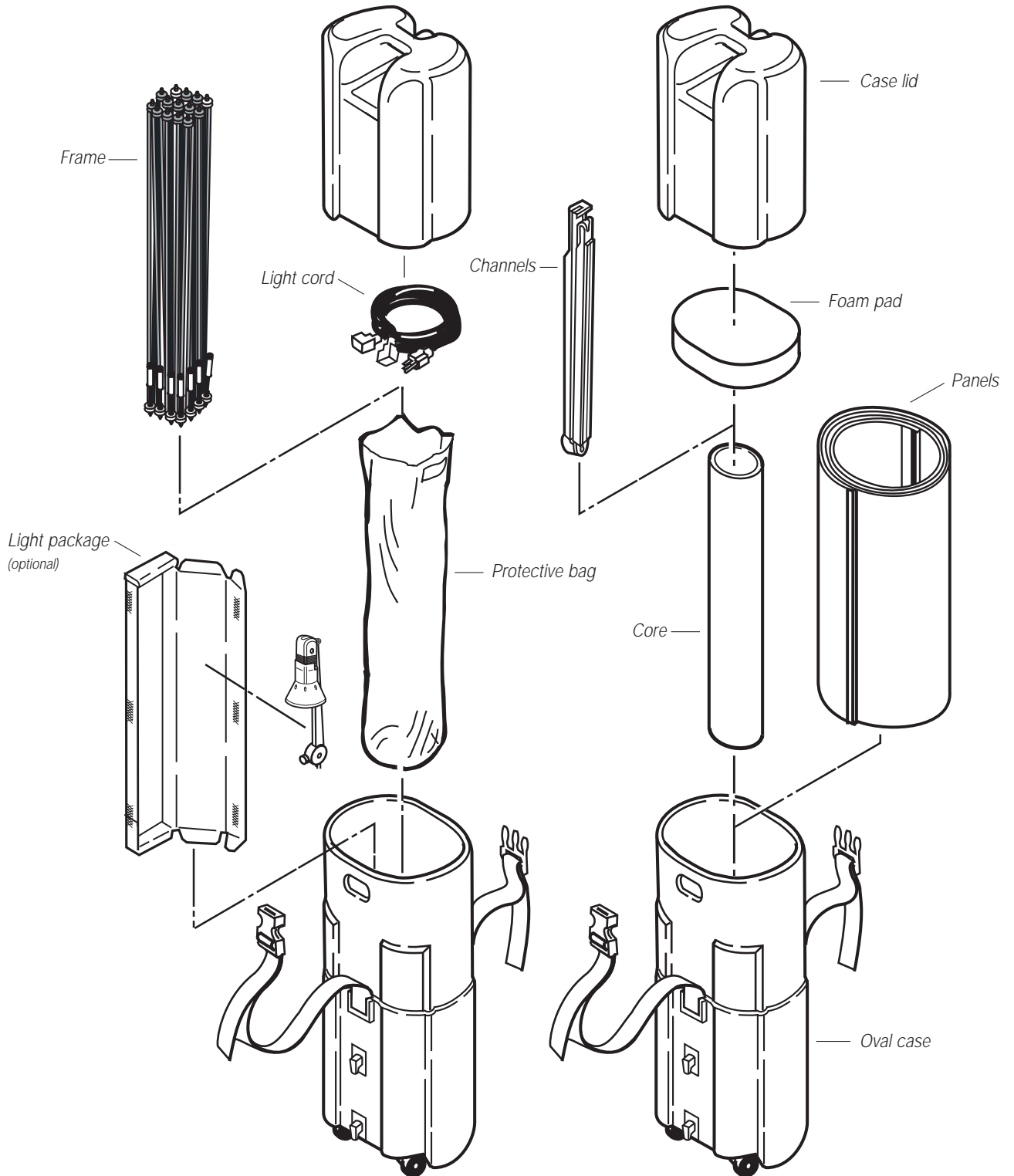


8' 77"  
10' 92"

# Transporter Case Components



# Oval Case Components

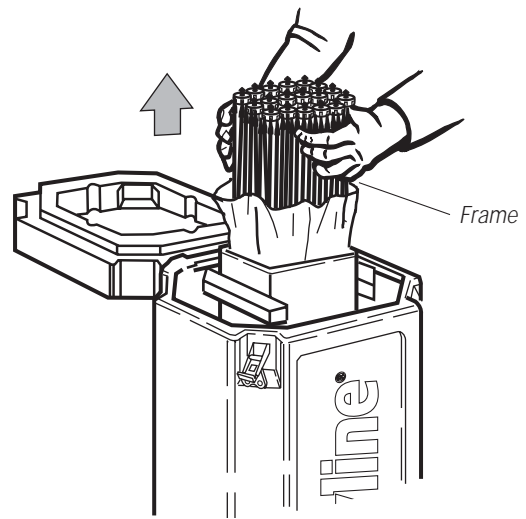


# Frame

**1**

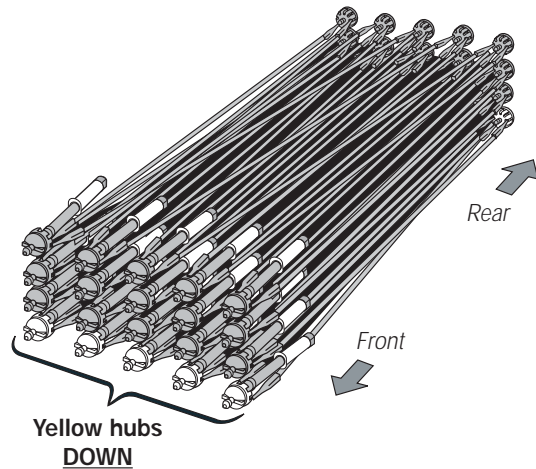
Remove frame from protective bag in center core of case.

*(Keep protective bag for repacking your frame.)*



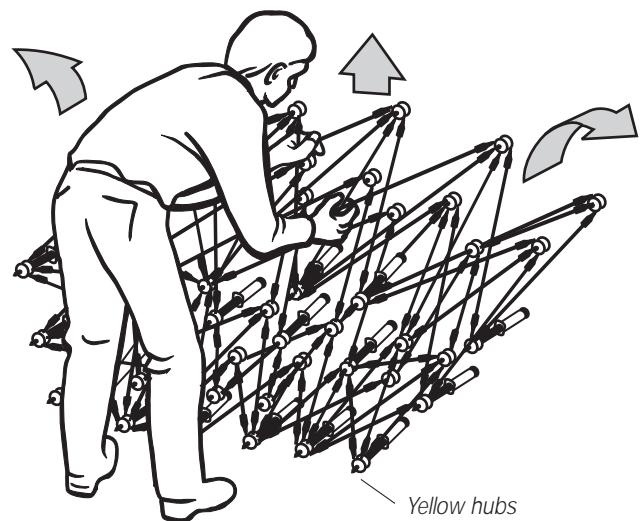
**2**

Place frame on floor with yellow hubs facing down and toward you.



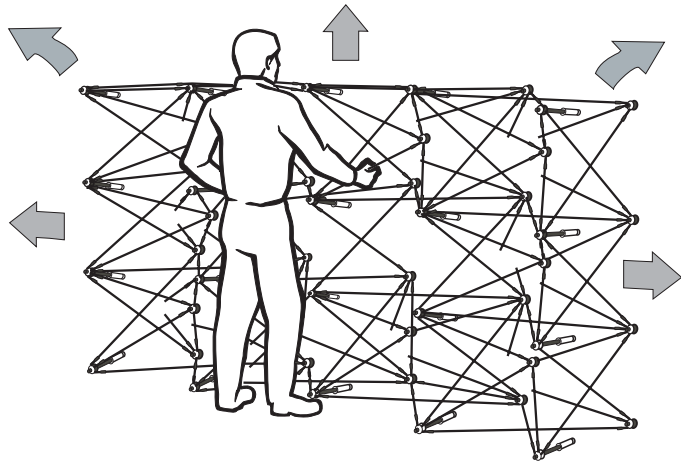
**3**

Grasp frame rods and lift to expand frame.



# 4

Continue to expand frame.

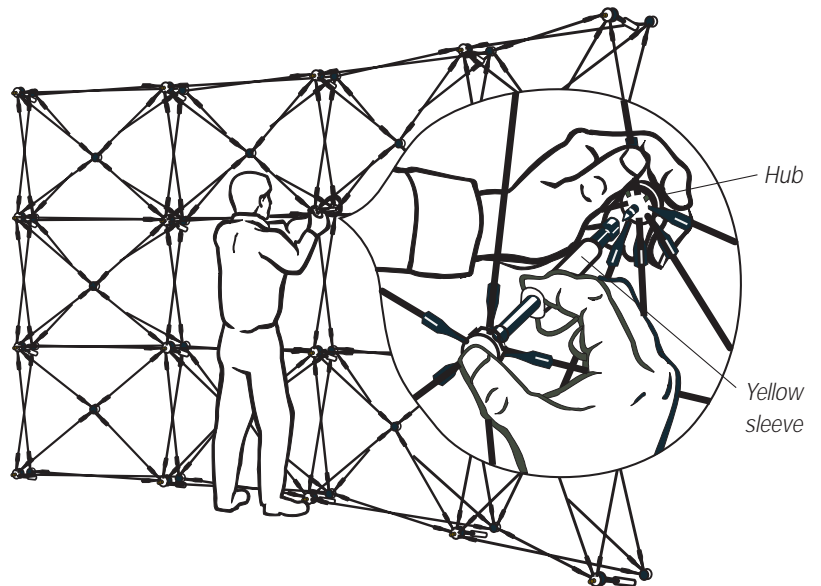


# 5

When frame is fully expanded, lock one center connector to keep the frame expanded.

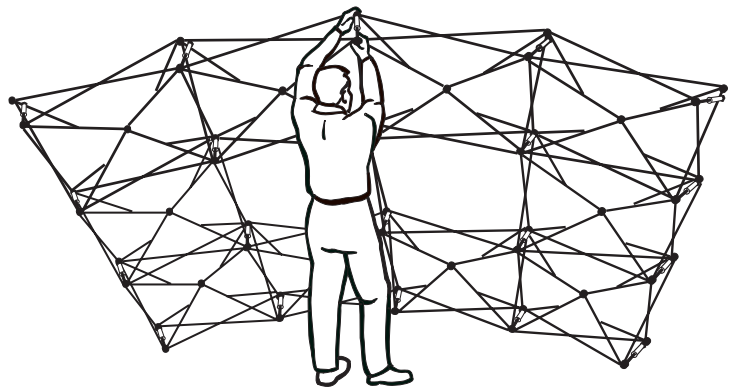
**Inset:** Pull back on yellow sleeve, place end of connector onto opposite hub and release yellow sleeve to lock.

Lock remaining connectors.



# 6

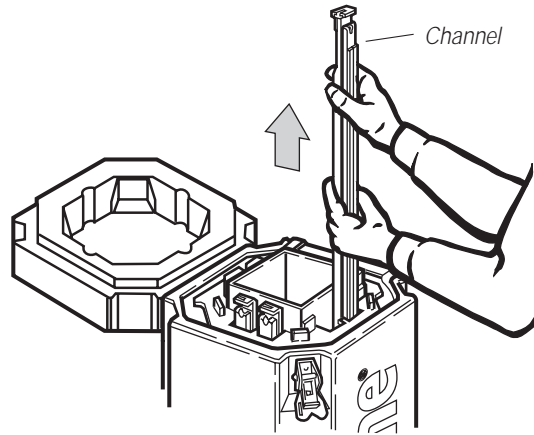
Tilt frame forward to reach top connectors.



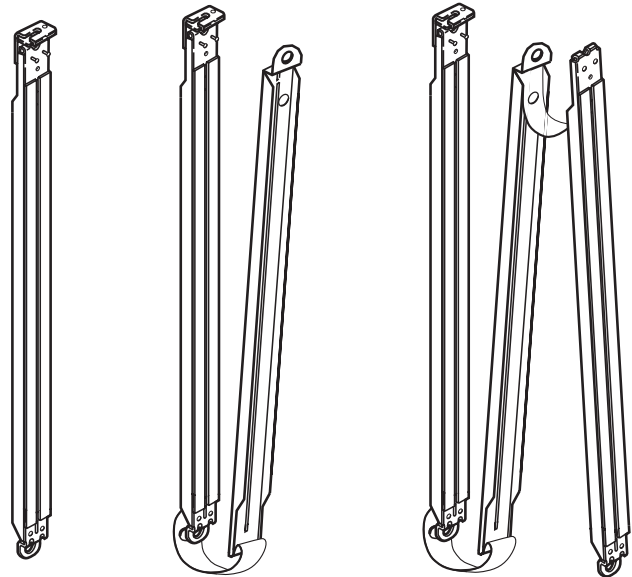
# Channels

## 7

Remove channel from case core. Identify what lights you have, if any, before you install the channels (see below).



**Note:** There are 3 types of channels. Your channels will vary depending on the size of your display.



1-section channel

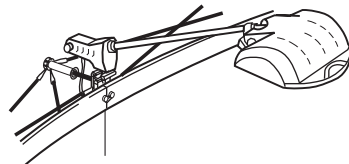
2-section channel with hinge

3-section channel with hinges

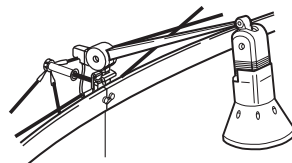
## !

If you have **no lights** or a backlit Marquee header proceed to **Step 8**.

If you have **Halogen lights** go directly to **Step 12-H** on page 10.

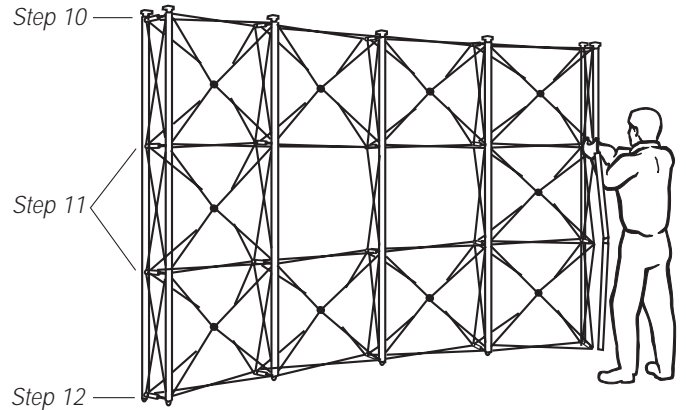


If you have **SkyTrak lights** go directly to **Step 12-S** on page 12.



# 8

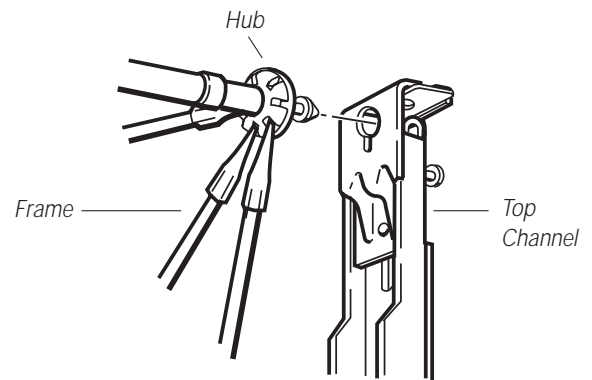
Channels are applied to all quadrants on front side of frame. Extra channels are applied to each end on back side of frame.



# 9

## Top Connection

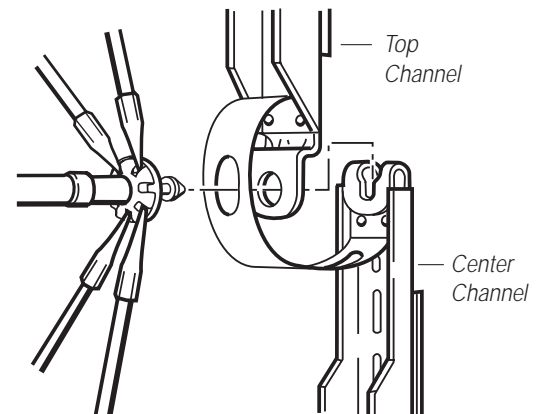
Connect top channel section to top hub of display frame.



# 10

## Center Connection(s)

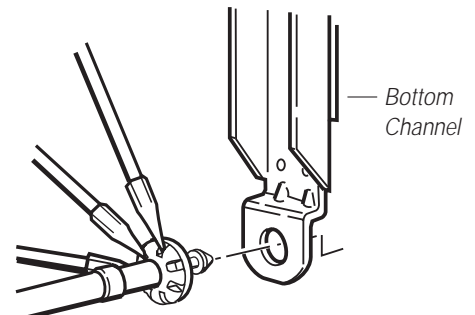
Connect bottom of top channel to hub of display frame. Slide top of next channel up onto same hub.



# 11

## Bottom Connection

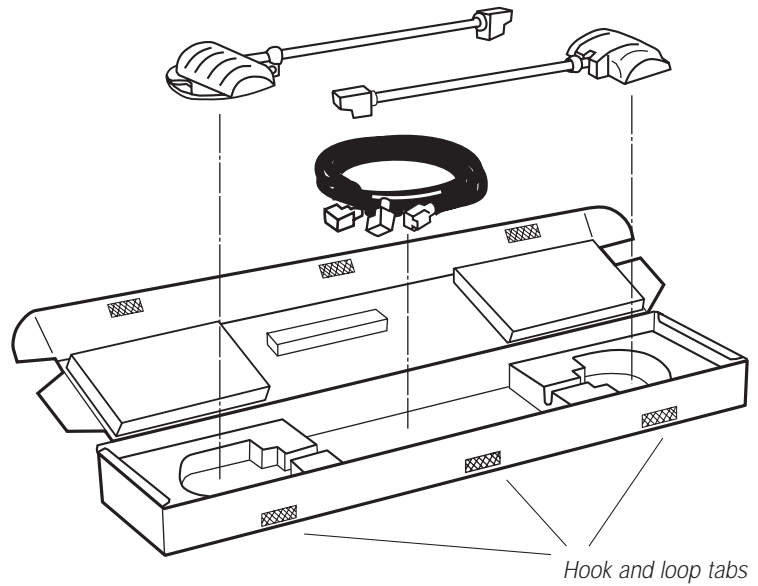
Connect bottom of channel to hub of display frame.



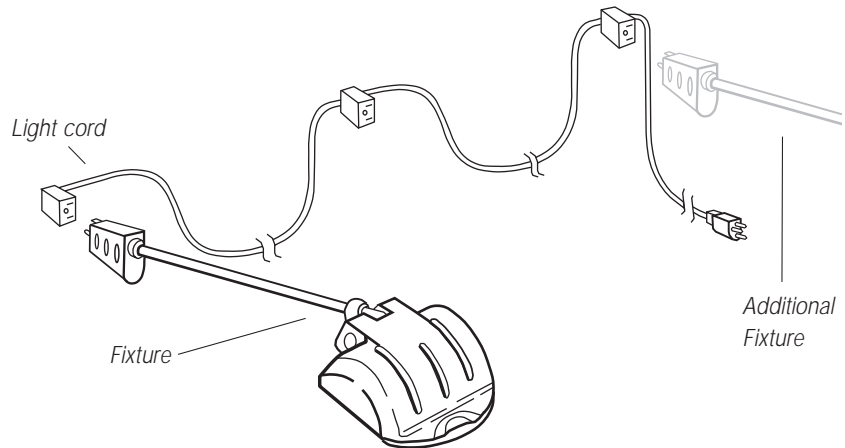
# Halogen Lights

## 12-H

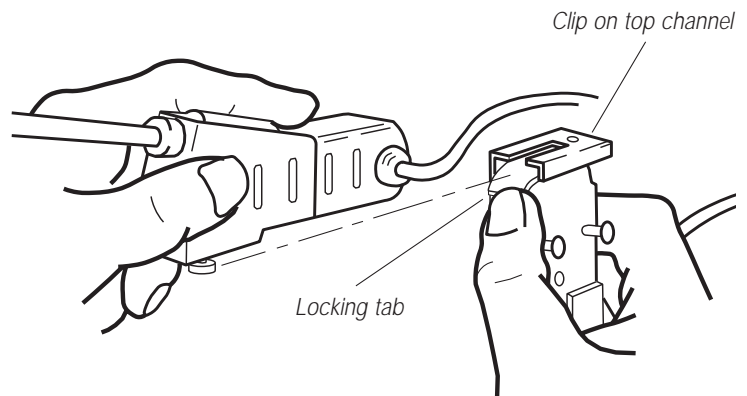
The fixture box opens on the side and is fastened with hook and loop tabs.



Attach light cord to fixture.

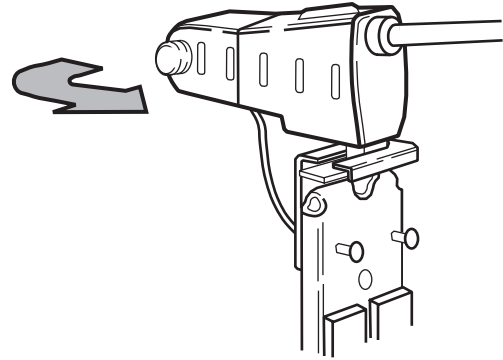


Attach fixture to clip on top section of channel. Hold down locking tab and back fixture into clip.



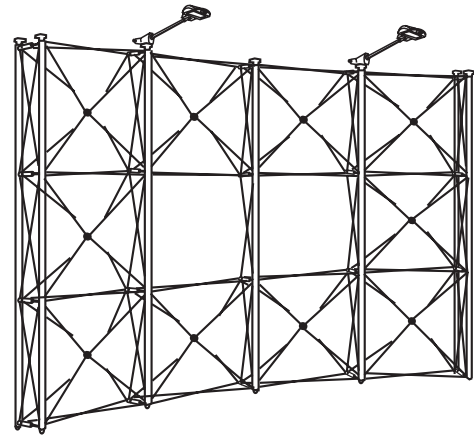
---

Rotate fixture 90° counter-clockwise.



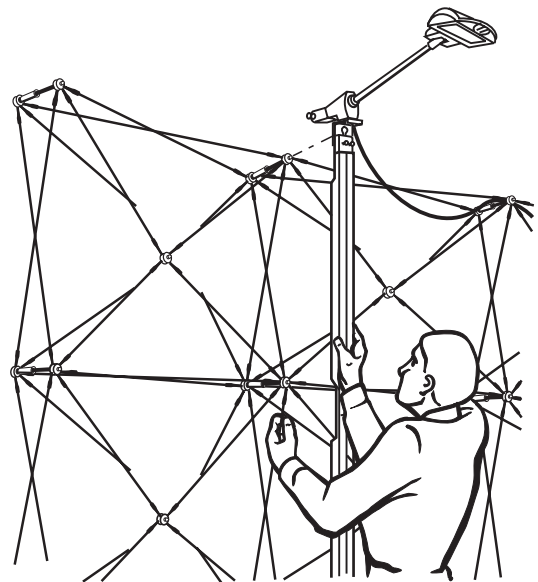
Repeat for remaining fixture(s).

Place channels with light fixtures in desired position on frame (see illustration at right for typical placement).



Remaining channels without lights are installed on open quadrants on front of frame and on end quadrants on back of frame.

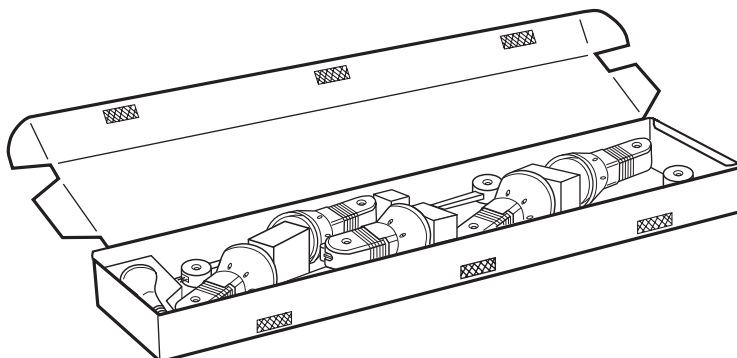
**See Steps 8-11** for details on channel installation.



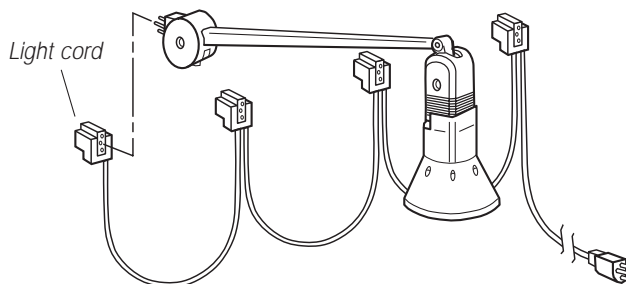
# SkyTrak™ Lights

## 12-S

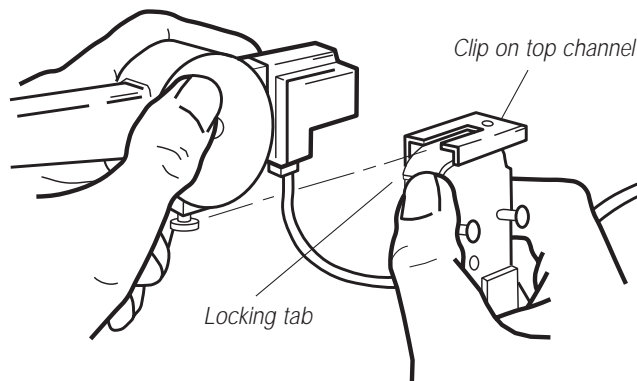
The fixture box opens on the side and is fastened with hook and loop tabs.



Attach SkyTrak fixtures to light cord (found in lid of Transporter case).

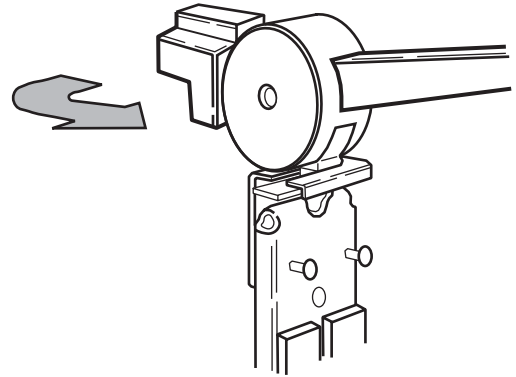


Attach assembled fixture to clip on top section of channel. Hold down locking tab and back fixture into clip.



---

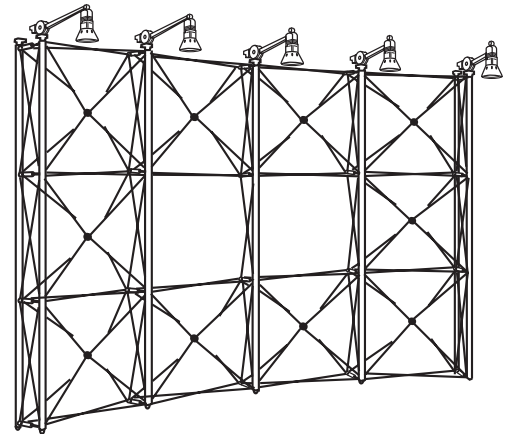
Rotate fixture 90° counter-clockwise.



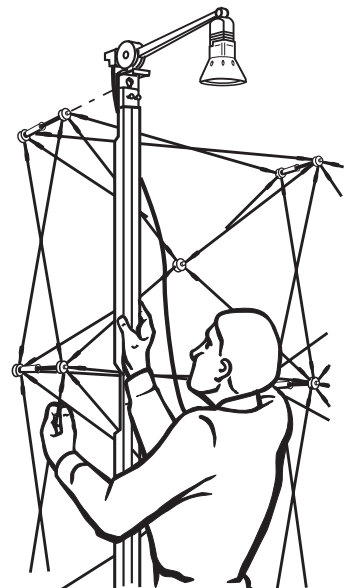
**Repeat for remaining fixtures.**

Place channels with light fixtures in desired position on frame (see right for typical placement).

Remaining channels are installed on remaining quadrants on front of frame (if any) and on end quadrants on back of frame.



**See Steps 8-11** for details on channel installation.

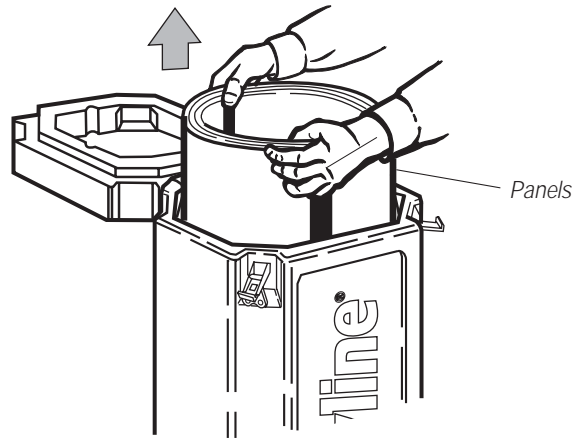


# Panels

**Note:** Remove center core from Transporter case to access panels.

## 13

Carefully remove panels from case and unroll on flat, clean surface.

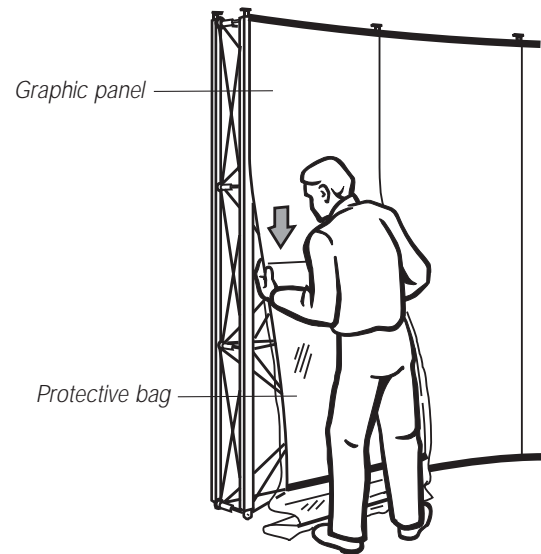


## 14

**Graphic Panel:** Pull just enough of the panel out of the bag to expose the panel notches. Attach as described below(15). Once panel is attached, slide bag off of panel.

**Fabric Panels:** Remove panel(s) from protective bag and attach as described below (15).

Save bags and protective sheets.

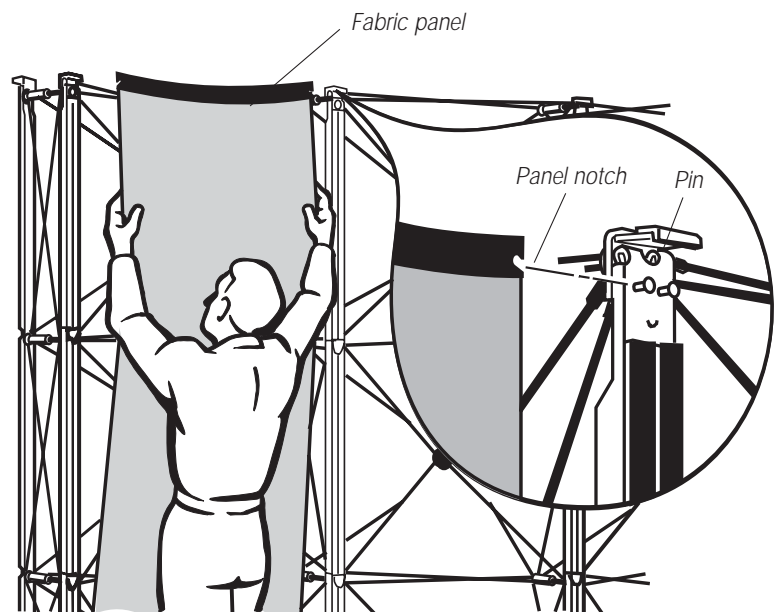


## 15

Grasp panels on their edges making sure panel notches are on top. Hold the panel slightly concave to give it the rigidity needed to reach the top of the channel.

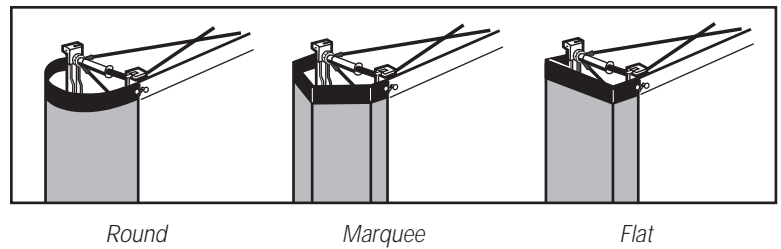
Hook the panel notch over the pin at the top of the channel. Repeat for other side of panel. Let panels attach to magnetic channels.

After all panels have been mounted, check alignment and realign if necessary.



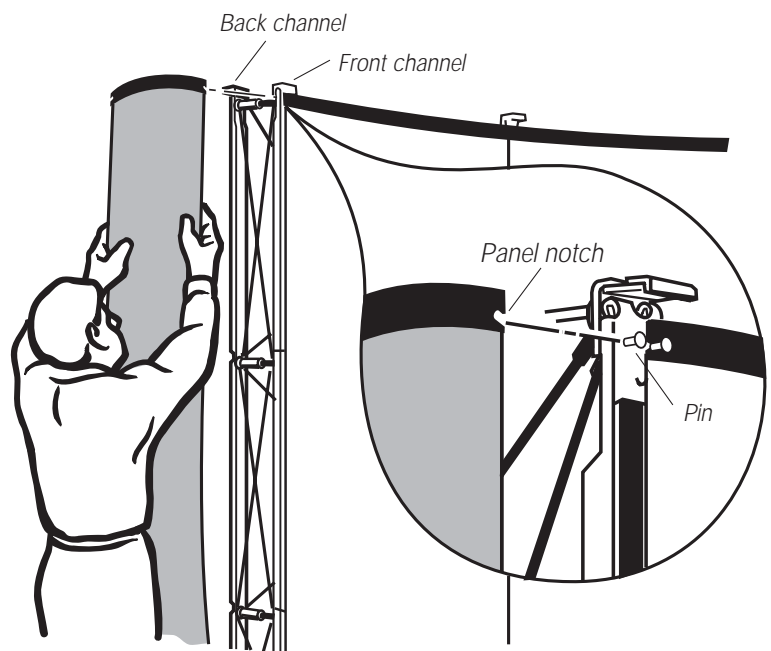
# End Panels

**Note:** There are a variety of end panels available for your Mirage. All styles attach in the same manner.



**16**

Hook the panel notch over the pin at the top of the front channel. Let panel attach to magnet on channel. Guide end panel around to back of frame and attach in the same manner.

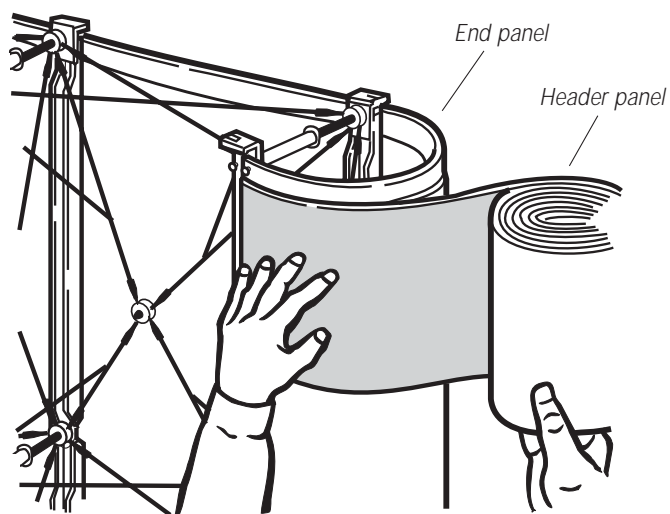
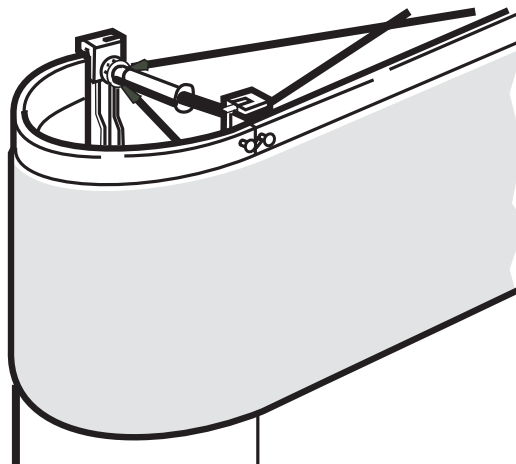


# Detachable Graphics

---

## 17 *Optional Graphics*

**Header Panel** Line up header with top of fabric panel and unroll keeping header tight to panel.

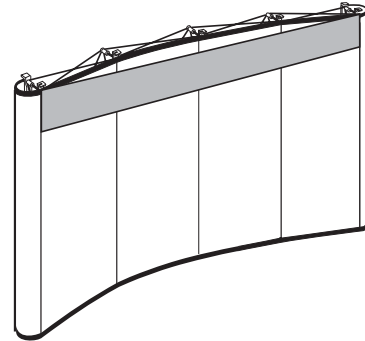
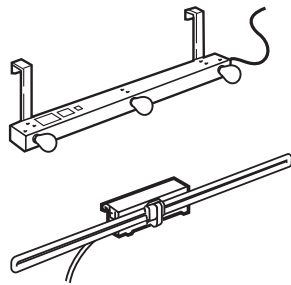


# Marquee Header

The Marquee Header is a graphic header designed to be backlit. It can be backlit with either incandescent Marquee Lights or Fluorescent Lightsticks.

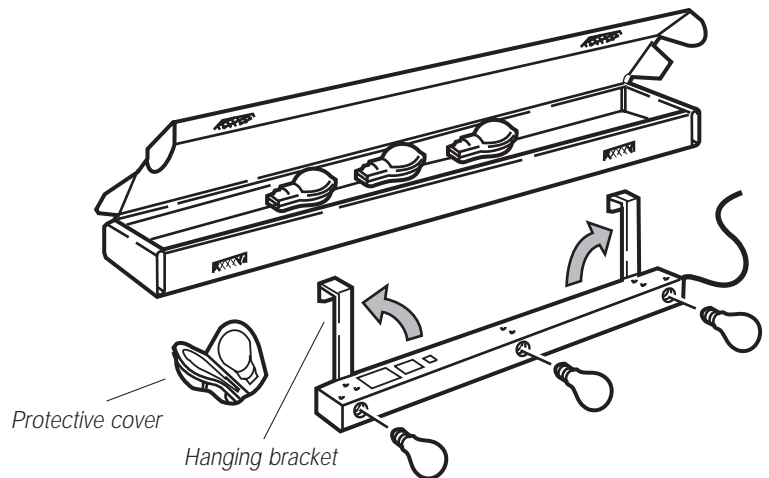
If you have **Marquee lights** proceed to **Step 1**.

If you have a **Fluorescent Lightstick** skip to **Step 3** on page 18.



# 1

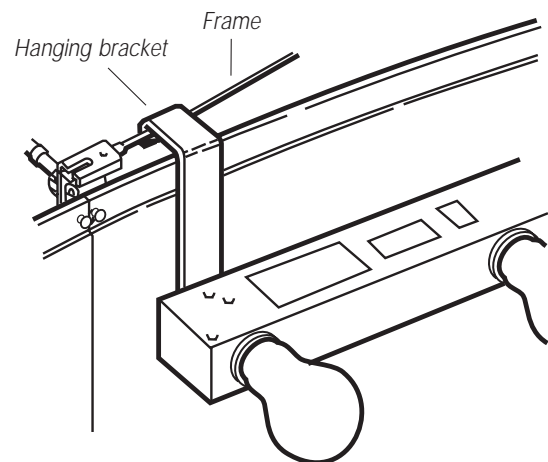
**Marquee Lights** Remove light bulbs from protective foam covers. Screw bulbs into light bar and swivel hanging brackets up.



# 2

Hang light brackets over display frame. Place cord over top of display and plug into power strip.

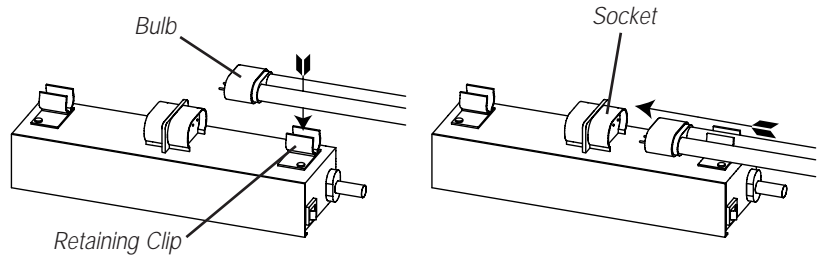
Skip to **Step 5**.



### 3

Snap bulb into retaining clip and push base of bulb into socket.

Repeat for remaining lightstick.



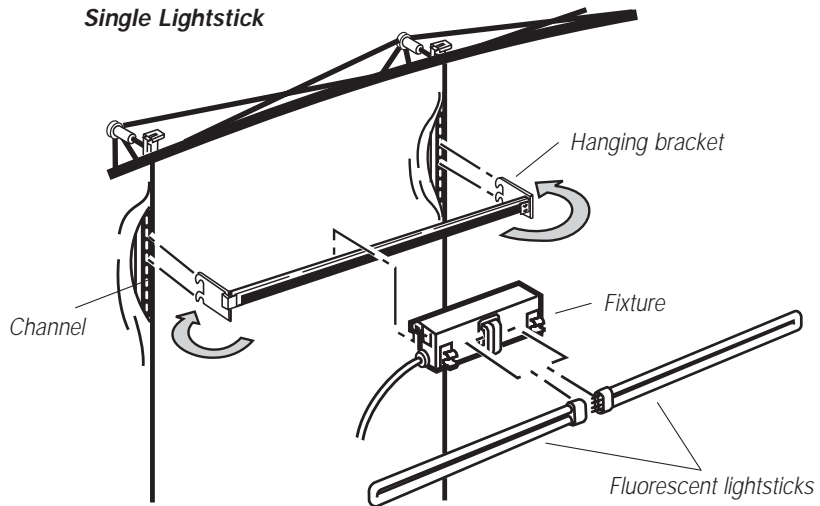
### 4

Unfold hanging bracket and insert into slots of channels in desired position.

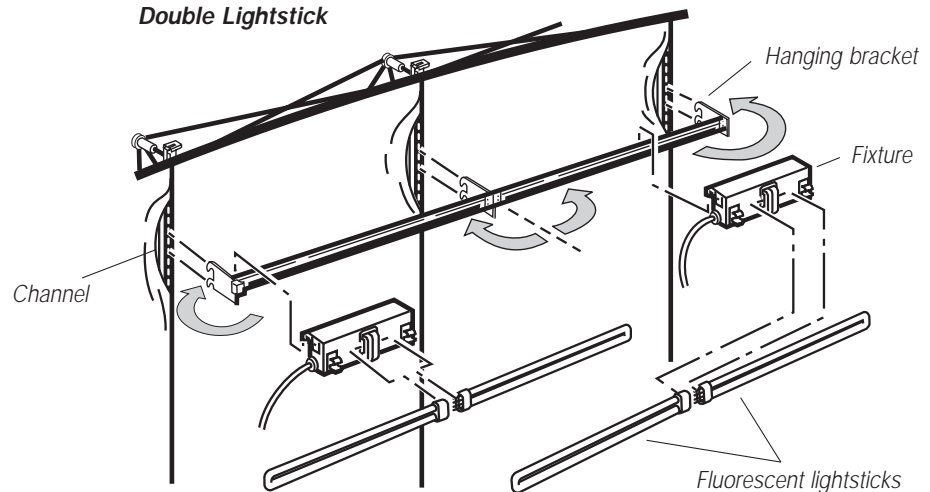
Connect fixture to hanging bracket.

Place cord over top of display and plug into power strip.

#### Single Lightstick

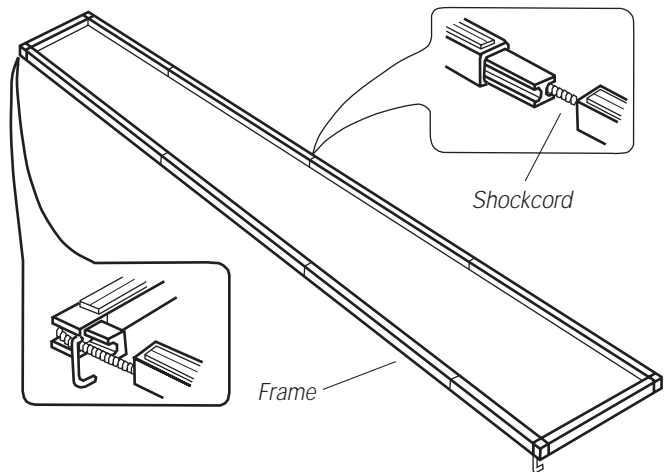


#### Double Lightstick



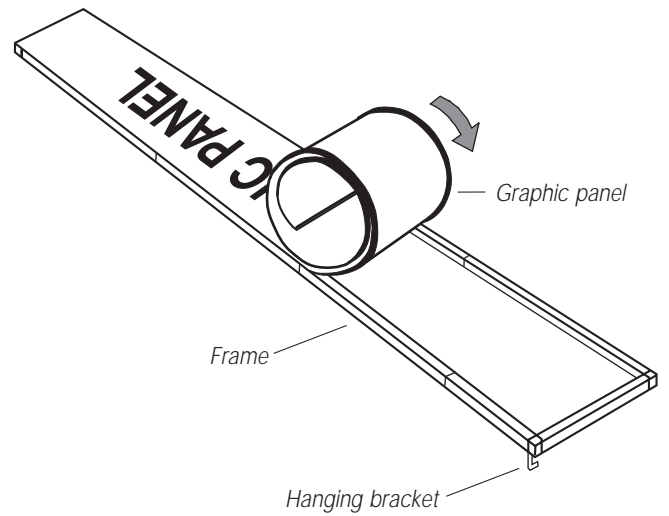
**5**

Assemble shock-corded header frame.



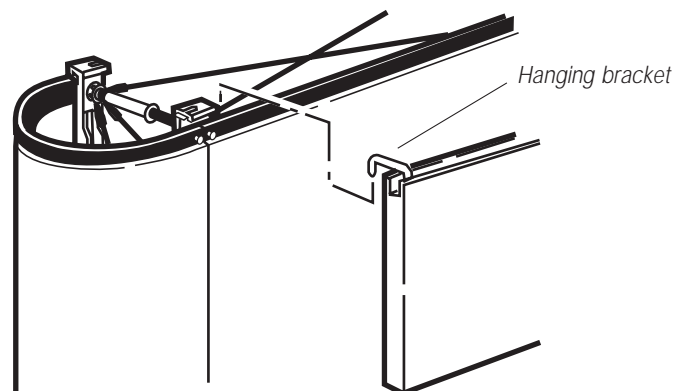
**6**

Unroll graphic panel onto header frame.



**7**

Hook header over frame at both ends of display.

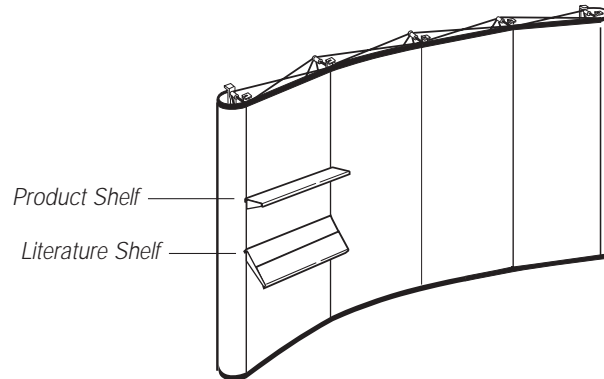


# Shelving

---

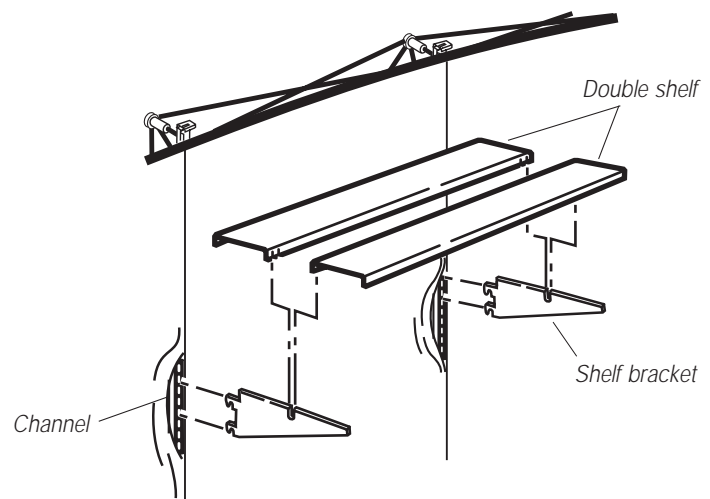
**Product shelving** is flat.  
Available as single or double shelf.

**Literature shelving** is angled  
and is available only as a double shelf.



**1**

**Product Shelf** Pull panel away from frame to expose channel. Attach shelf bracket to channel and secure in place. Repeat for opposite bracket. Place shelf onto brackets making sure notches line up.

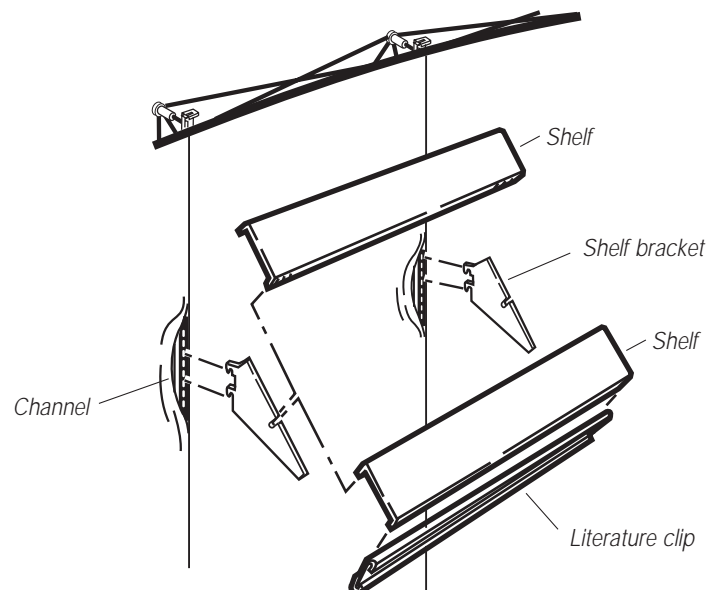


**1**

**Literature Shelf** Pull panel away from frame to expose channel. Attach shelf bracket to channel and secure in place. Repeat for opposite bracket.

**2**

Attach literature clip to shelf lip. Place shelf onto brackets making sure notches line up.

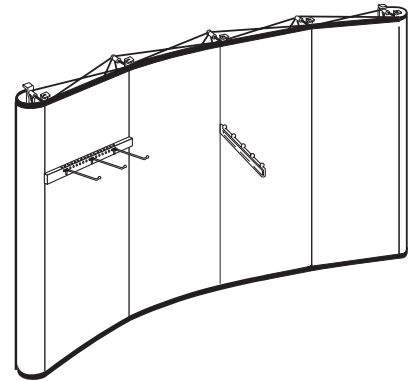


# Product Display

---

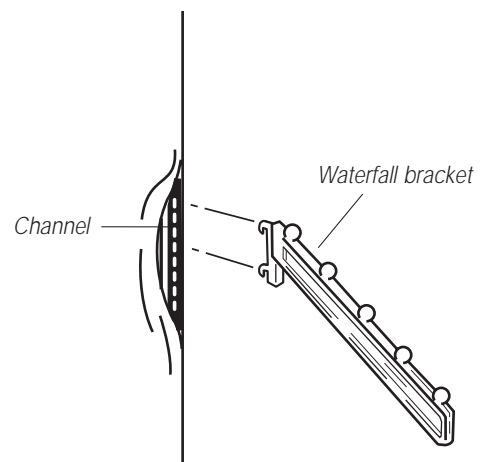
**Waterfall Bracket** is used for displaying products with a hanger such as apparel.

**Peg Bar** is perfect for displaying packaged items.



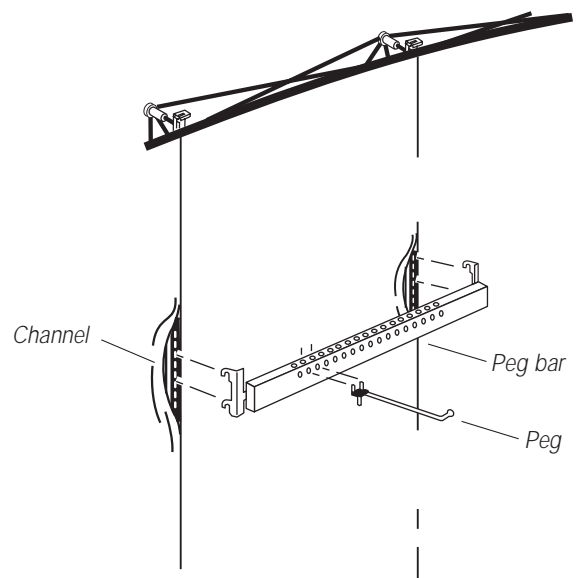
**1**

**Waterfall Bracket** Carefully pull panel away exposing channels. Insert bracket into channel notches and push down to lock into place.



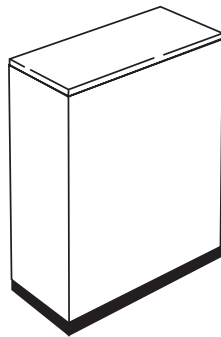
**1**

**Peg Bar** Carefully pull panel away exposing channels. Insert bracket into channel notches and push down to lock into place.



# Case Table – Transporter Case

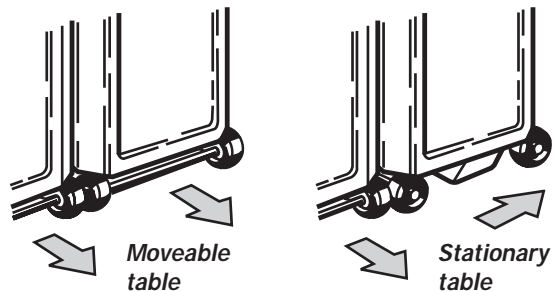
Case table is used for product display or working surface. The cases become the structure for the table and are covered with panels.



**1**

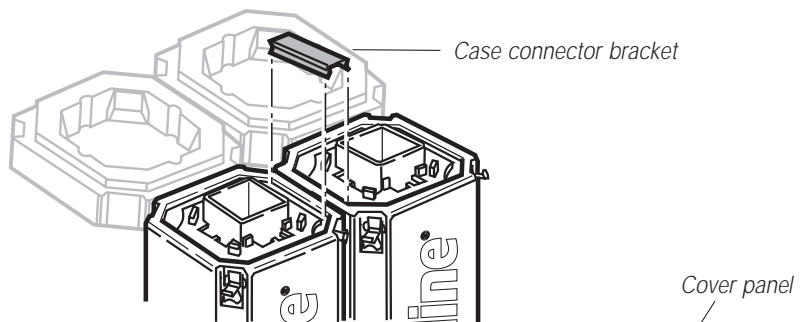
For a **stationary table**, position cases with wheels facing opposite direction.

For a **moveable table**, position cases with wheels facing the same direction.



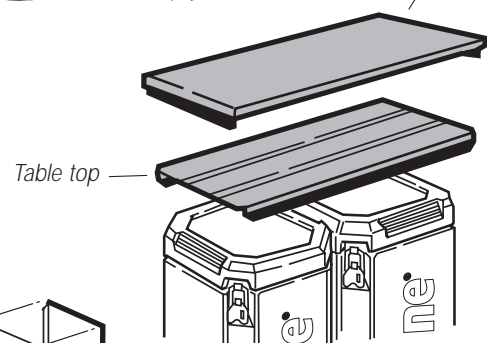
**2**

Open case lids and use case connector bracket to attach cases together. Replace lids and lock.



**3**

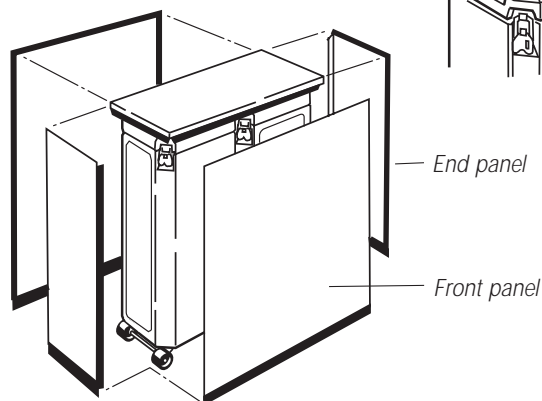
Unfold table top and place on cases. Place cover on table top.



**4**

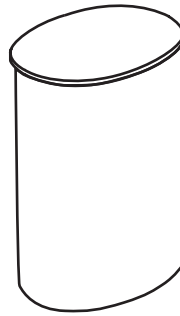
Attach end panels to magnetic strip on table top cover.

Attach front/back panels to magnetic strip on table top cover and to magnetic strips on end panels.



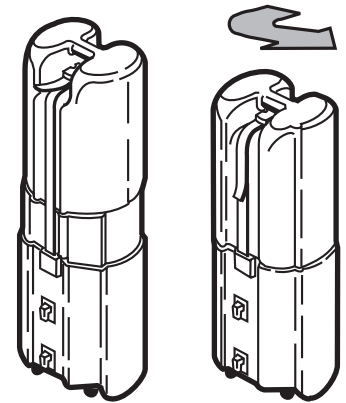
# Case Table – Oval Case

Case table is used for product display or working surface. The cases become the structure for the table and is covered with a panel.



**1**

Place lids on oval cases at their low position. Rotate lid 1/2 turn for high/low positions.

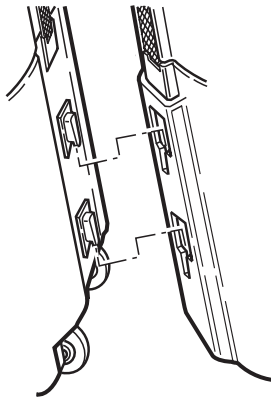


**High Position**  
(for shipping)

**Low Position**  
(for case table)

**2**

Tip cases forward and connect cases at their base. Strap cases together.



**3**

Connect table top halves and place on cases.

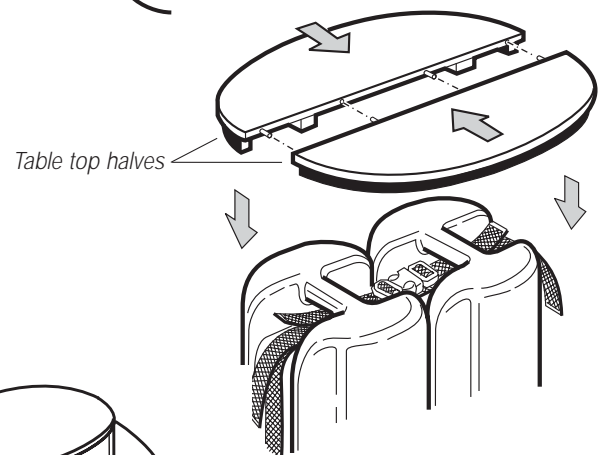
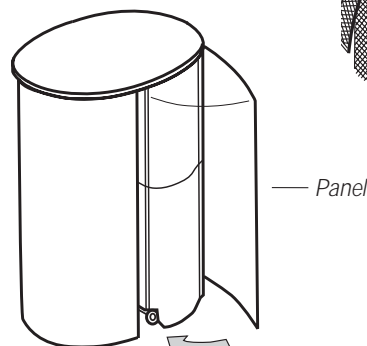


Table top halves

**4**

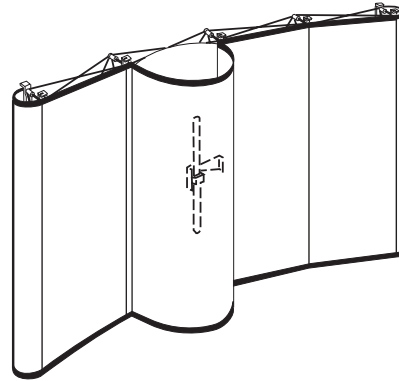
Starting at the back of the case, attach panel to magnetic strip on base of table top. Wrap around cases.



Panel

# Bubble™ Panel

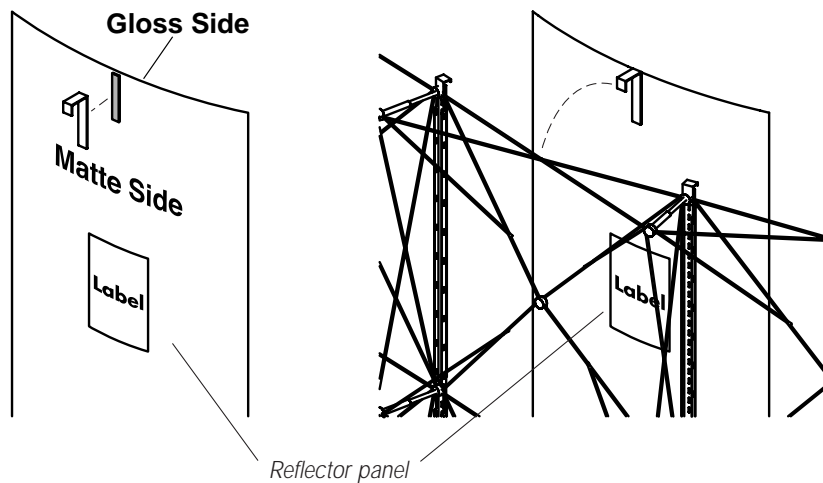
The Bubble Panel gives added dimension to your Mirage and allows for full-panel backlit graphics.



## 1

Attach bracket to the backside of the reflector panel with hook and loop tape at the center top of the panel. Hang the panel assembly onto the frame at the top level of the frame where two horizontal rods cross.

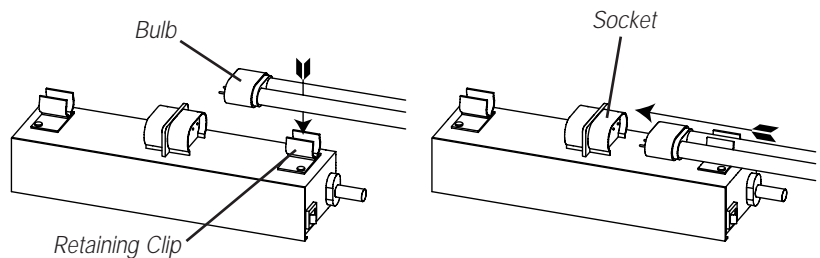
From the front side of the unit, finish the reflector panel installation by pressing the edges of the panel behind the channels.



## 2

Snap bulb into retaining clip and push base of bulb into socket.

Repeat for remaining lightstick.



### 3

**92" Display** Insert hanging bracket into slots on side of channel at desired height.

**77" Display** Insert hanging bracket into slots on back of channel at desired height.

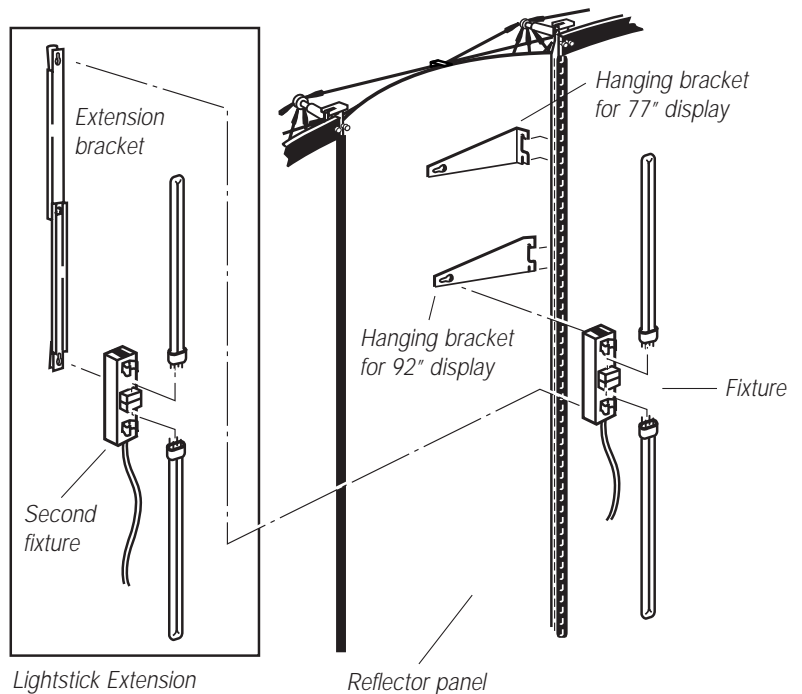
Connect fixture to hanging bracket.

Place cord over top of display and plug into power strip.

#### Lightstick Extension

For a double lightstick, connect second fixture to extension bracket.

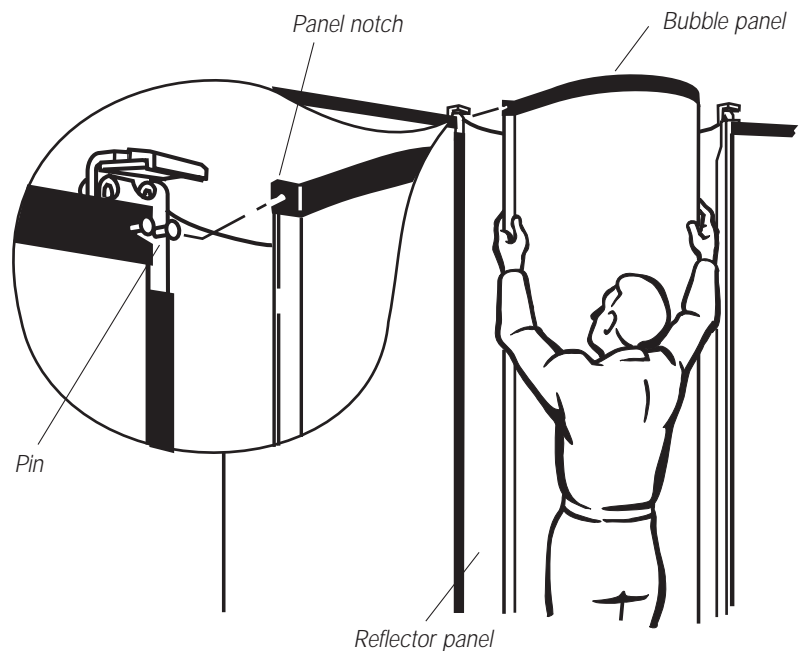
Connect extension bracket to clip on back of top light fixture.



### 4

Connect Bubble Panel by hooking the panel notches over the pins at the top of the channels.

Align to magnets on channels.

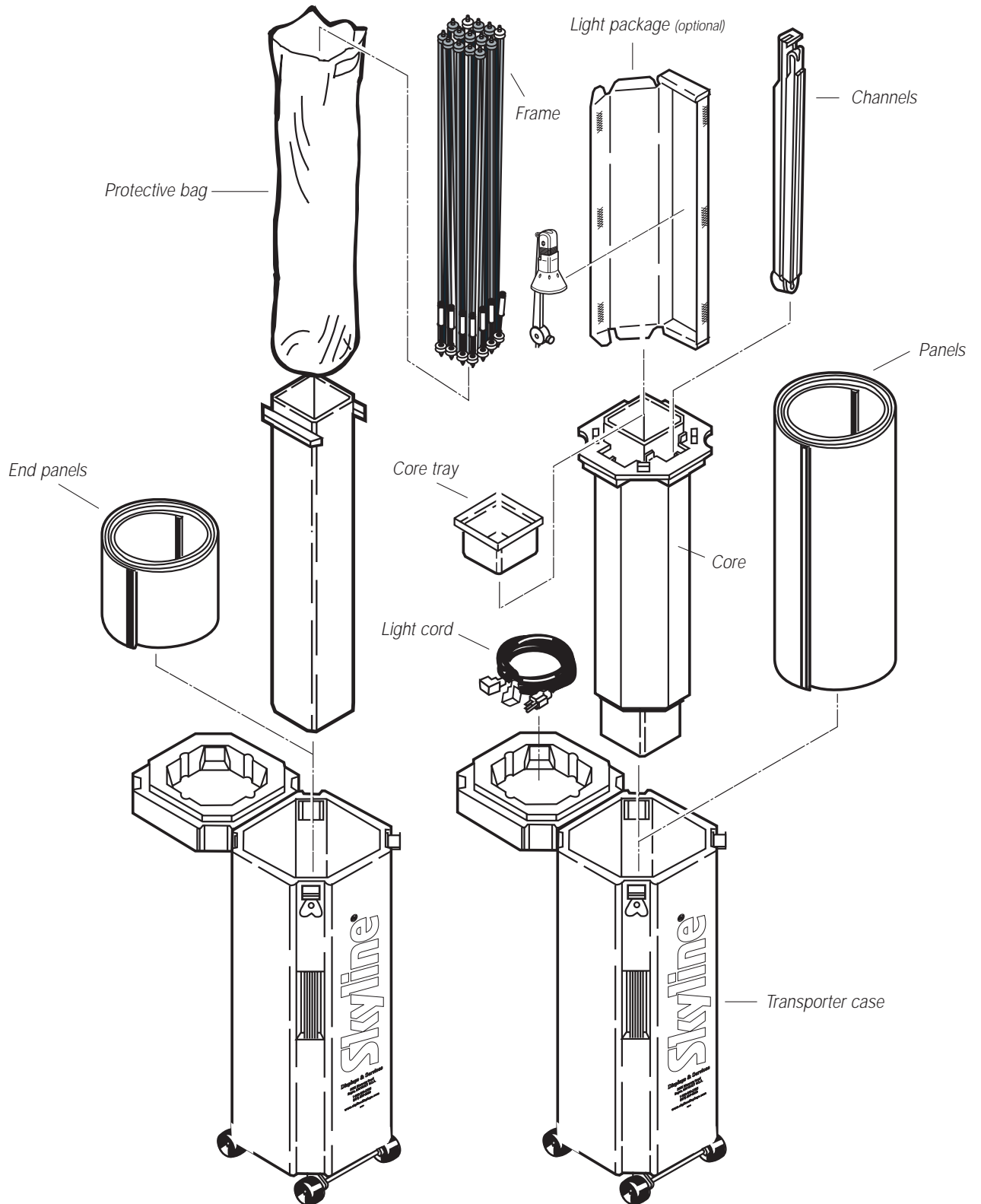


# Additional Accessories ---

Additional accessories are available from your Skyline distributor and may be included with your display. Set-up instructions are included within the accessory container or as a label on the container itself.

# Repacking – Transporter Case

Shown below is the repacking scheme for a full-size Mirage display. Your components may vary. Carefully follow the take-down steps on pages 28-30.



# Repacking – Transporter Case \_\_\_\_\_

## 1

Remove any accessories or lighting and replace in original packing.

## 2 !

**Graphic Panels** To keep your panel from dirt and scratches, place protective plastic bag onto panel while it is on the frame. Begin at bottom of panel and move upwards. Remove panel when near the top.

Roll panel and place in case.  
Unroll panel until tight against wall of case.

Repeat with remaining front panels.

**Fabric Panels** Remove 2 front panels and lay face-to-face with protective sheet between.

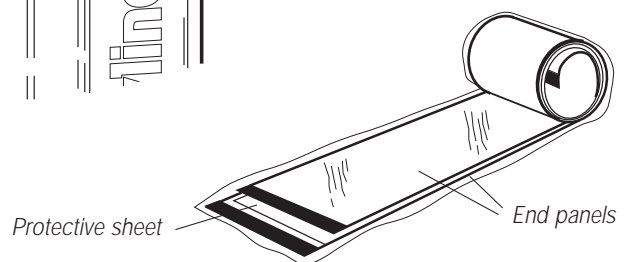
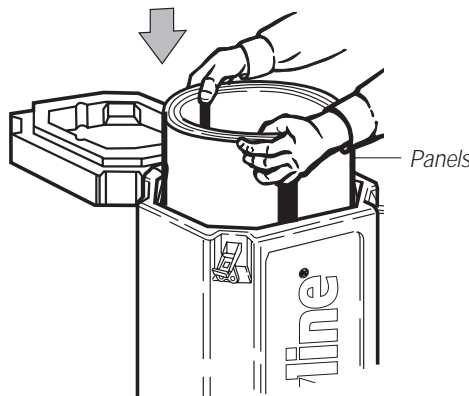
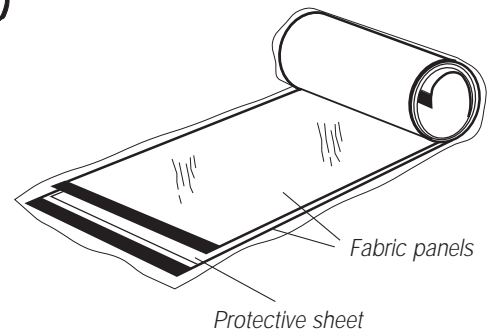
Place in protective plastic bag.

Roll panels and place in case.  
Unroll panels until tight against wall of case.

Repeat with remaining front panels.

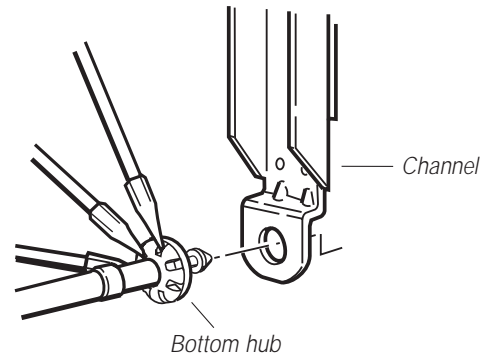
## 3

Repeat with end panels.

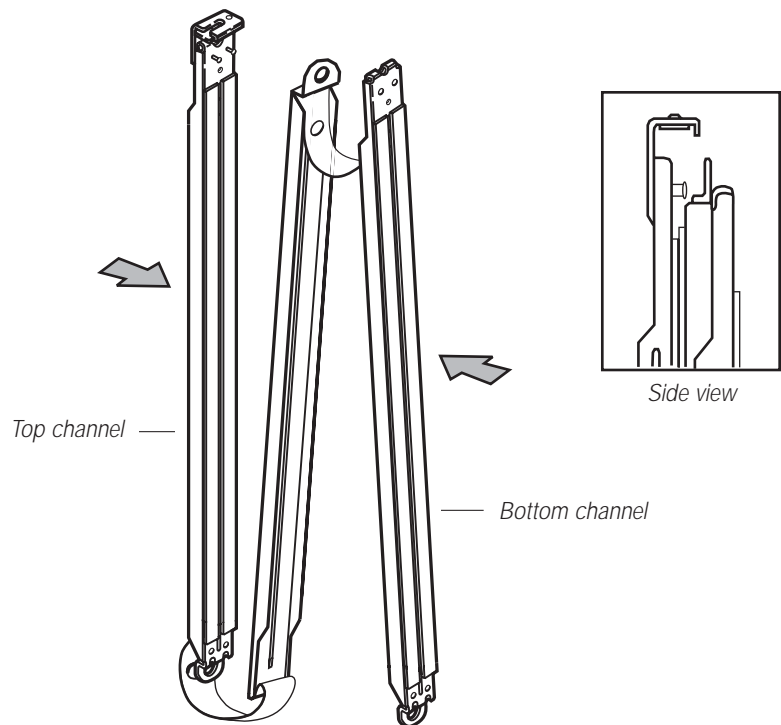


# 4

Remove channels by starting at bottom hub and working up.

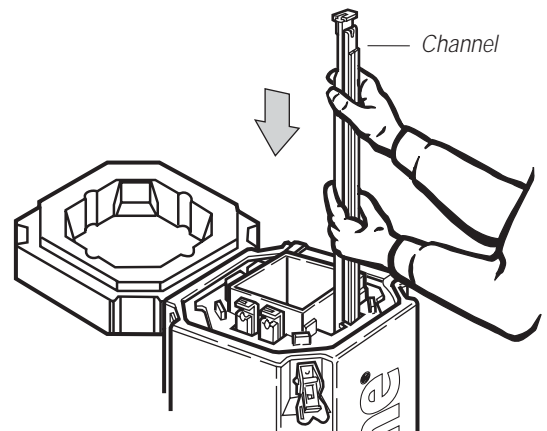


Fold channels and nest sections together as shown.



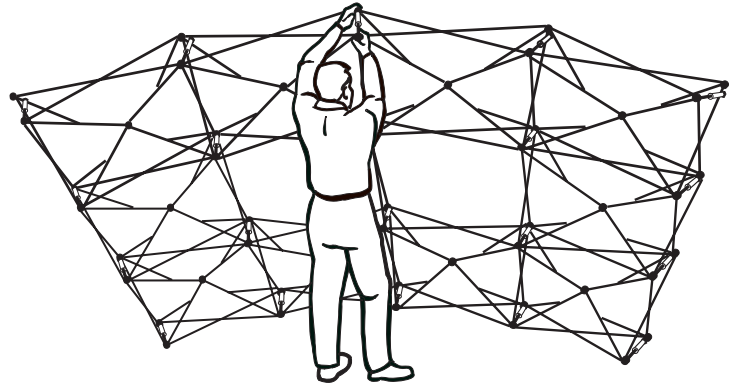
Place core into Transporter case.

Insert channels in slots of case core.

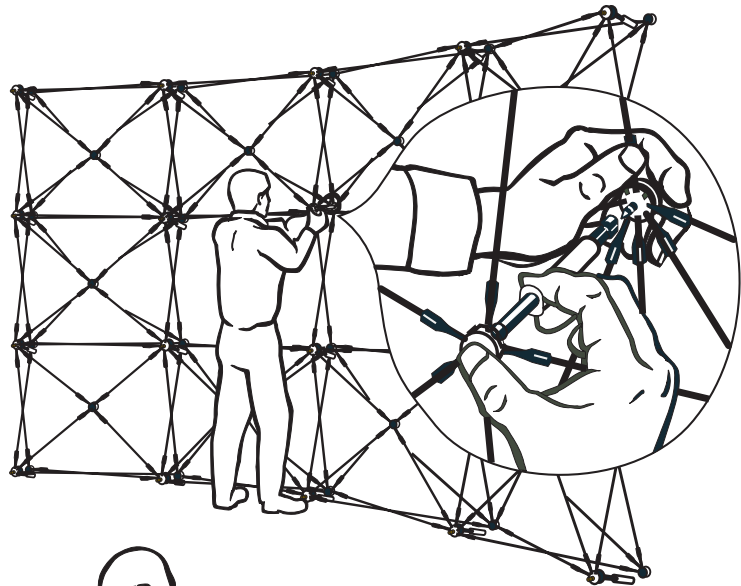


# 5 !

**Important** To collapse frame, tilt frame forward to disconnect hard-to-reach connectors and pull back on yellow sleeve until disconnected.

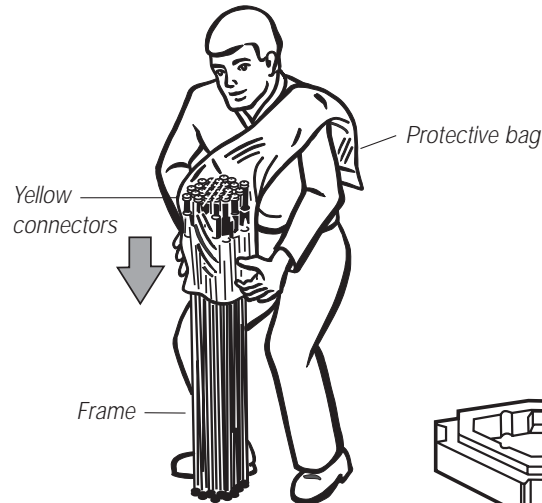


Disconnect remaining connectors around the perimeter of the frame so the last connector is at a comfortable level.



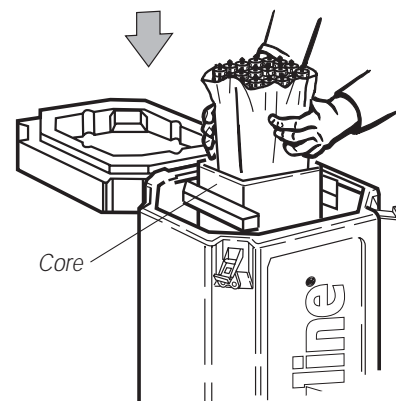
Support frame with one hand while disconnecting the final connector. Slowly allow frame to collapse.

Place frame in protective bag. The end of the frame with the yellow connectors must go in first.



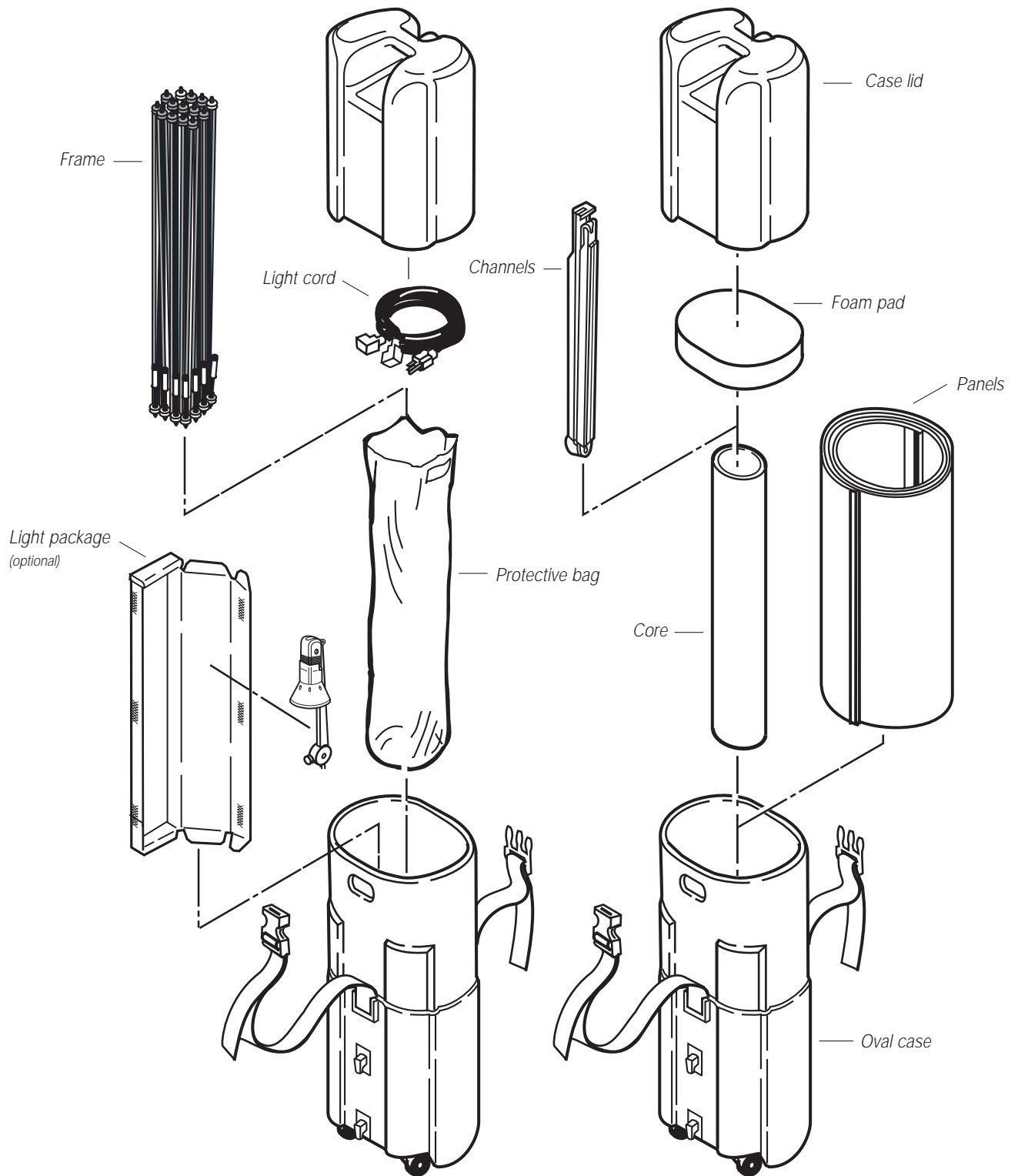
Place core into case.

Place frame into case core.



# Repacking – Oval Case

Shown below is the repacking scheme for a full-size Mirage display. Your components may vary. **Carefully follow the take-down steps on pages 32-34.**



# Repacking – Oval Case

**1**

Remove any accessories or lighting and replace in original packing.

**2 !**

**Fabric Panels** Remove 2 front panels and lay face-to-face with protective sheet between.

Place in protective plastic bag.

Roll panels and place in case. Unroll panels until tight against wall of case.

Repeat with remaining front panels.

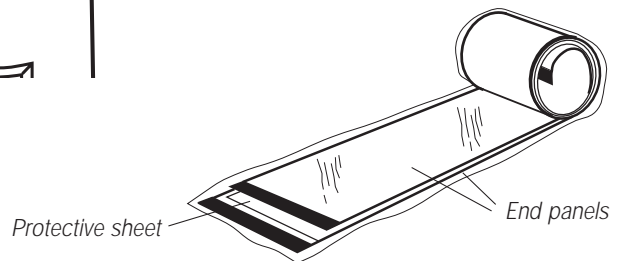
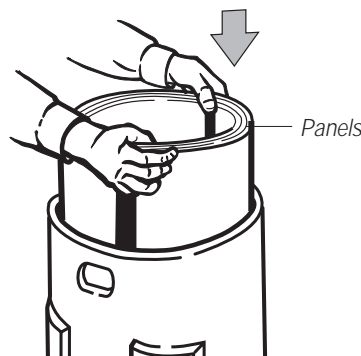
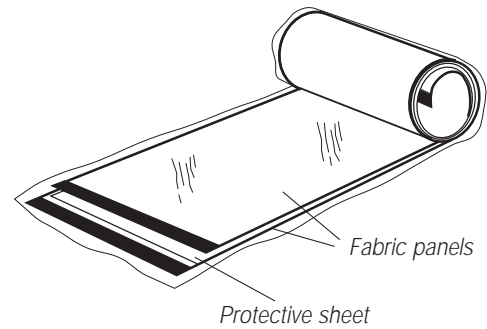
**Graphic Panels** To keep your panel from dirt and scratches, place protective plastic bag onto panel while it is on the frame. Begin at bottom of panel and move upwards. Remove panel when near the top.

Roll panel and place in case. Unroll panel until tight against wall of case.

Repeat with remaining front panels.

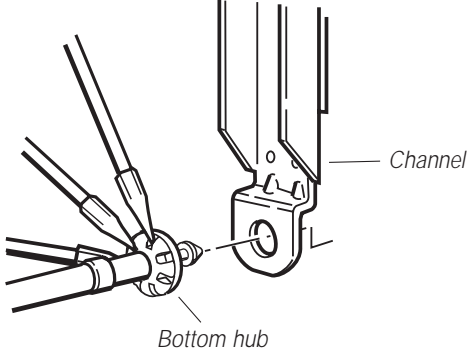
**3**

Repeat with end panels.

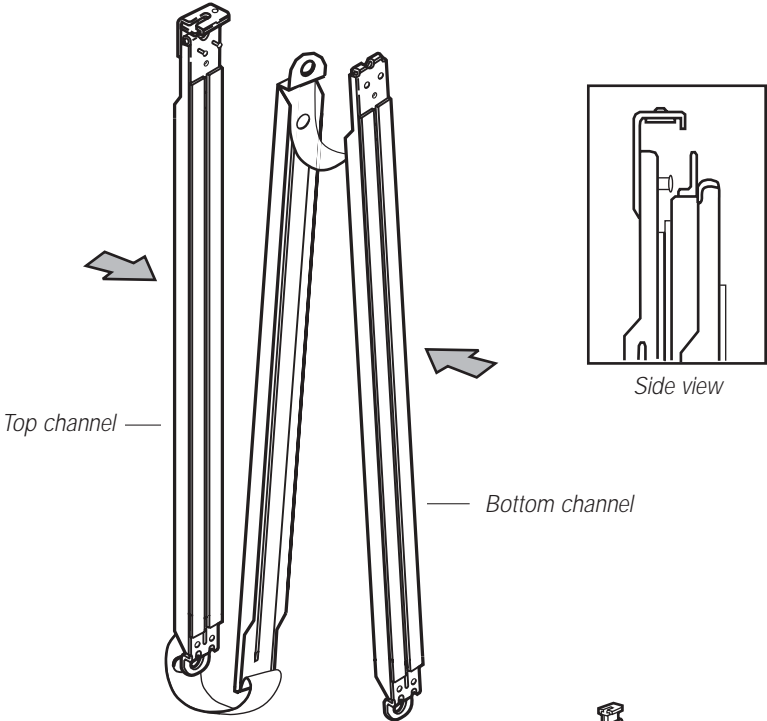


# 4

Remove channels by starting at bottom hub and working up.

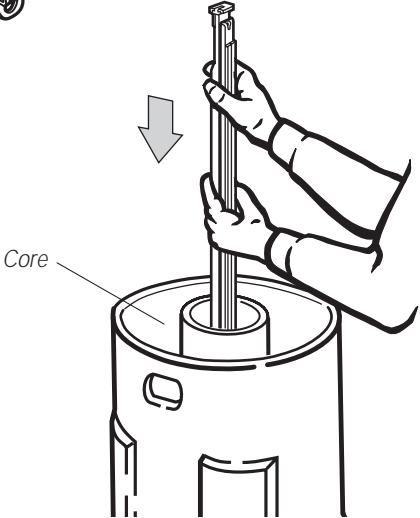


Fold channels as shown.



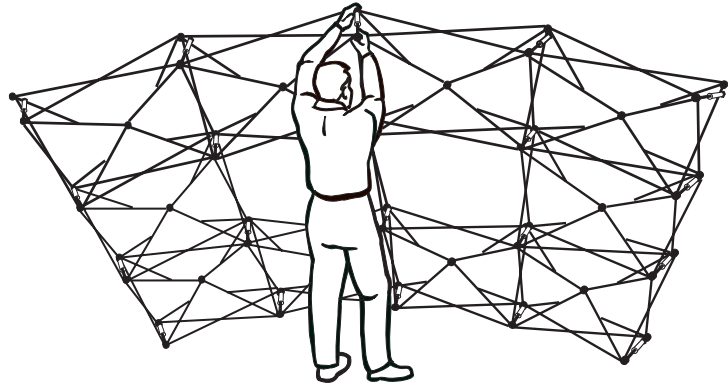
Place core into oval case.

Place channels in core.

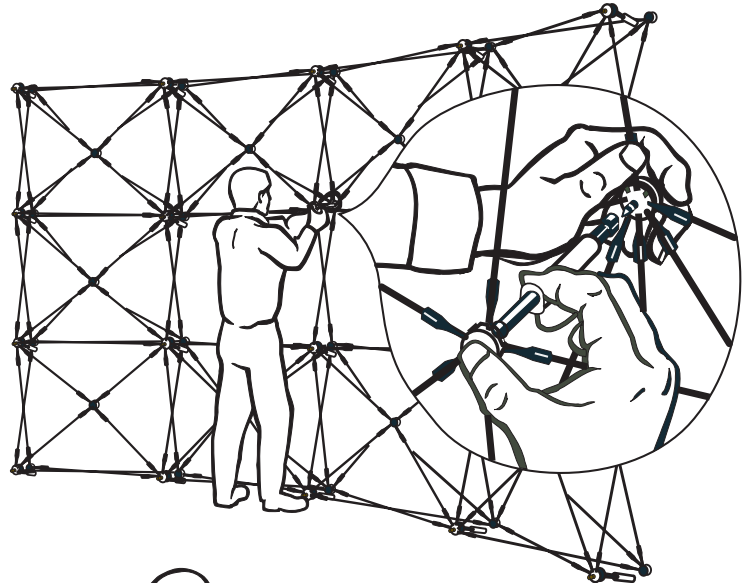


# 5 !

**Important** To collapse frame, tilt frame forward to disconnect hard-to-reach connectors first – pull back on yellow sleeve until disconnected.

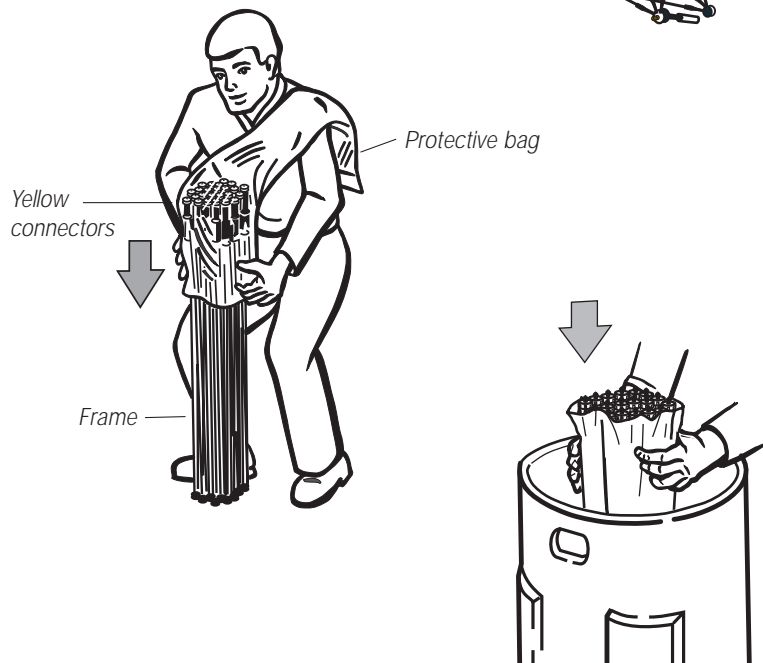


Disconnect remaining connectors around the perimeter of the frame so the last connector is at a comfortable level.



Support frame with one hand while disconnecting the final connector. Slowly allow frame to collapse.

Place frame in protective bag. The end of the frame with the yellow connectors must go in first.



Place bag with frame in case.

Place lid on case in the shipping (high) position and secure straps.

WARRANTY

Skyline Exhibits  
3355 Discovery Road, Eagan, Minnesota 55121 U.S.A.

SKYLINE EXHIBITS, a Minnesota corporation (SKYLINE), hereby warrants, as set forth below, its MIRAGE® and MIRAGE® PLUS portable displays in four parts: frame and channels (Frame and Channels), hardware (Hardware), panels (Panels), and lights (Lights). Frame and Channels represent the collapsible framework and metal channels including attached magnets. Hardware represents the shelves, brackets, and case. Panels represent the flexible surface area covering the frame and channels. Lights represent the light fixtures (not bulbs). This Limited Warranty set forth below does not apply to any photomural panels or graphic materials supplied by SKYLINE. Color variations due to changes by suppliers during the manufacture of materials also are not covered under this warranty.

### **MIRAGE® and MIRAGE® PLUS HARDWARE WARRANTY**

SKYLINE warrants to the original purchaser, the MIRAGE® and MIRAGE® PLUS Frame and Channels for the lifetime of the exhibit, the MIRAGE® and MIRAGE® PLUS Hardware for a period of one (1) year from the date of shipment, the MIRAGE® and MIRAGE® PLUS Panels for a period of ninety (90) days from the date of shipment, and the MIRAGE® and MIRAGE® PLUS Lights for a period of two (2) years from the date of shipment. The warranty provides that they will be free from defects in material or workmanship for the period stated. Defects will be determined solely by SKYLINE and not by any representative or dealer of or for SKYLINE. Upon determination of defect, the sole obligation of SKYLINE will be to repair or replace defective part. The resale of the exhibit automatically terminates the warranty.

The conditions of the Limited Warranty are: (1) the MIRAGE® or MIRAGE® PLUS Frame and Channels, Hardware, Panels, or Lights shall have been subject to only normal use and service and shall not have been misused, neglected, altered or otherwise damaged and (2) there shall be no evidence of tampering or deliberate destruction.

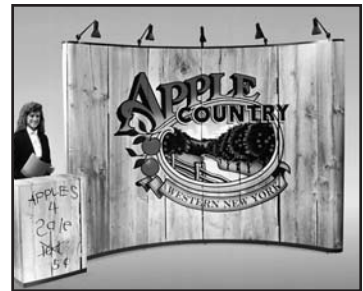
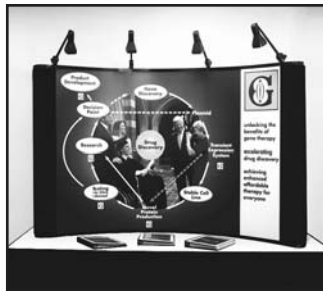
No representative or dealer of or for SKYLINE is authorized to assume for SKYLINE any other obligations or liabilities in connection with the MIRAGE® or MIRAGE® PLUS Frame and Channels, Hardware, Panels, or Lights or alter the terms of this Limited Warranty in any way. This Limited Warranty is limited to the express provisions contained herein and does not extend to the liability for labor cost incurred in replacing defective parts.

Authorization to return any alleged defective part must be obtained from SKYLINE before the alleged defective part is returned. All shipping and transportation charges must be prepaid by the buyer. SKYLINE will not accept charges for parts purchased unless the conditions of this Limited Warranty have been satisfied.

THIS WARRANTY IS IN LIEU OF ALL OTHER WARRANTIES, EXPRESS OR IMPLIED AND THE WARRANTIES OR MERCHANTABILITY AND FITNESS FOR A PARTICULAR PURPOSE ARE HEREBY EXCLUDED BEYOND THE NINETY DAYS FOR PANELS AND ONE YEAR FOR HARDWARE DURATION OF THIS WARRANTY. Some states do not allow limitations on how long an implied warranty lasts, so the above limitations may not apply to you. SKYLINE EXHIBITS SHALL NOT BE LIABLE FOR DAMAGES, INCLUDING SPECIAL, INCIDENTAL OR CONSEQUENTIAL DAMAGES OUT OF OR IN CONNECTION WITH THE PERFORMANCE OF THIS MIRAGE® or MIRAGE® PLUS OR ITS USE BY THE OWNER.

SKYLINE's liability is limited exclusively to repair or replacement of the defective part. Credit will be issued if defective part is returned qualifying for the replacement pursuant to the terms and conditions of this Limited Warranty. Parts can also be obtained from a local SKYLINE EXHIBITS, dealer.

MIRAGE® is a registered trademark of Skyline Exhibits  
MIRAGE® patents #4,627,210, #4,658,560, #4,945,706, #5,148,648, #5,203,134, #5,203,126,  
#D 340,533, #5,327,700, #D 349,608 and patents pending



**Skyline Exhibits**

3355 Discovery Road  
Eagan, MN 55121 U.S.A.  
**1-800-328-2725**